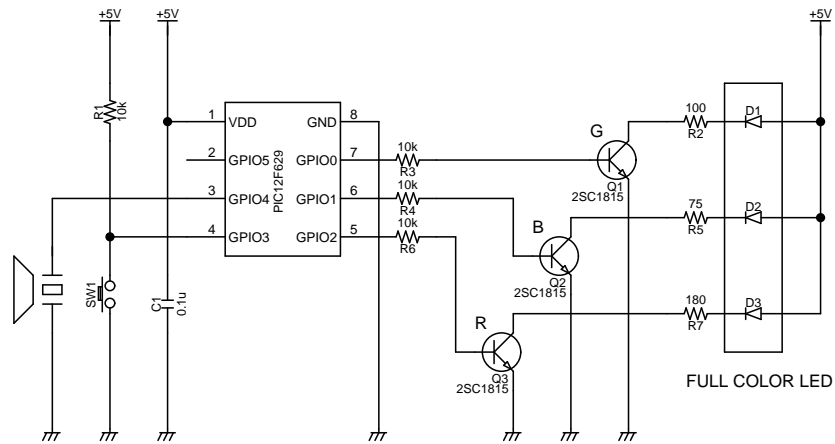


TITLE		DRAWING_No.	
Frequency Ccounter			
SHEET	DATE	DESIGN	
1 / 1	2003.DEC.27	YS DESIGN STUDIO	



GP0/CIN+/ICSPDAT
 GP1/CIN-/ICSPCLK
 GP2/T0CKI/INT/COUT
 GP3/MCLR/VPP
 GP4/T1G/OSC2/CLKOUT
 GP5/T1CKI/OSC1/CLKIN

TITLE		DRAWING_No.	
PIC12F629 FULL COLOR LED			
SHEET	DATE	DESIGN	
1 / 1	2003.DEC.26	YS DESIGN STUDIO	